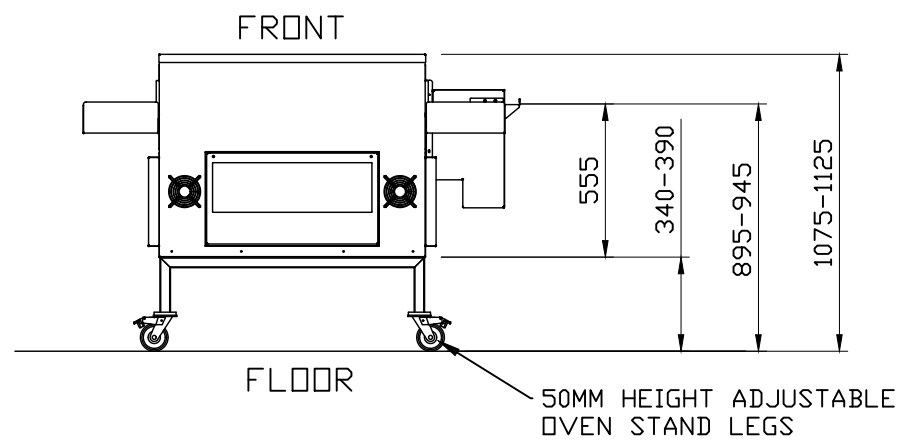
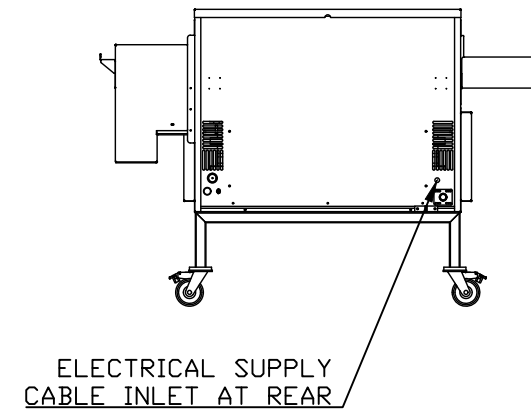
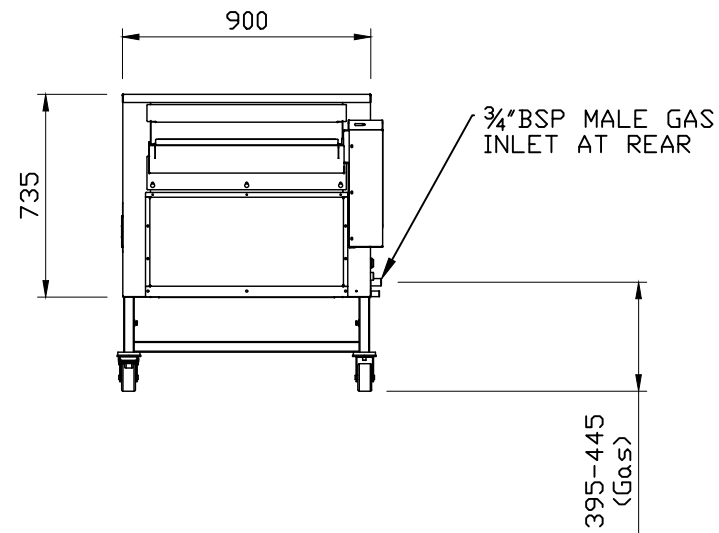


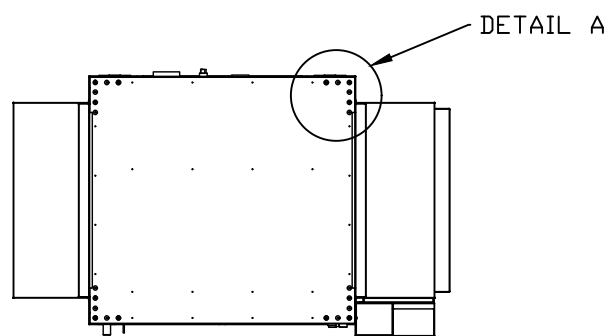
DETAIL A - SHOWN WITH OVEN STAND REMOVED



50MM HEIGHT ADJUSTABLE OVEN STAND LEGS



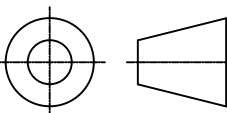
ELECTRICAL SUPPLY CABLE INLET AT REAR



BOTTOM VIEW SHOWN WITH OVEN STAND REMOVED

©2021 DMP Enterprises Pty Ltd

UNLESS STATED DIMENSIONS ARE IN MILLIMETRES



					REF. DMP2638 Oven			DMP ENTERPRISES PTY LTD				
					MATERIAL			DESCRIPTION				
					FINISH			INSTALLATION DRAWING				
					TOLERANCES UNLESS STATED			DRAWN J GANINO		CHECKED D.L.		
					0.0 ±0.4		DWG SIZE		SCALE 1:20		APPROVED	
					0.00 ±0.10		A2		DATE	QTY	ISSUE	DRAWING NUMBER
					ANGLE ±2°		A2		19/10/20		R2	2638-22000
R2		Added bottom view & detail A	22/10/21									
R1		Issued for installation information	19/10/20									
ISSUE	SYM	REVISION	DATE	APP'D	ATS							