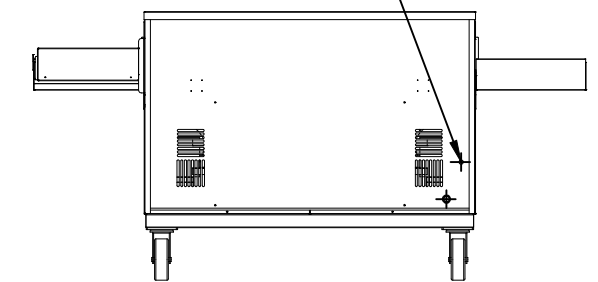
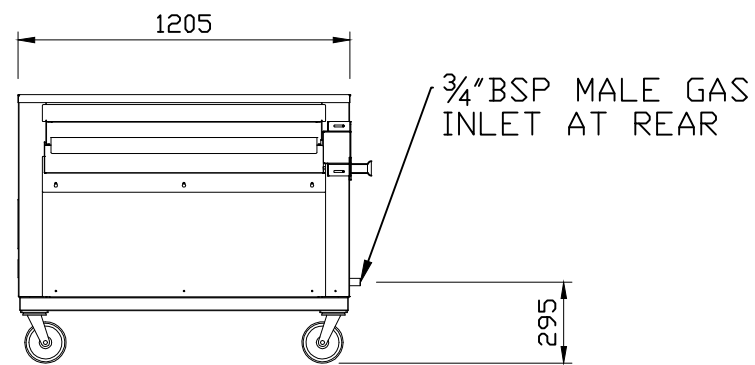
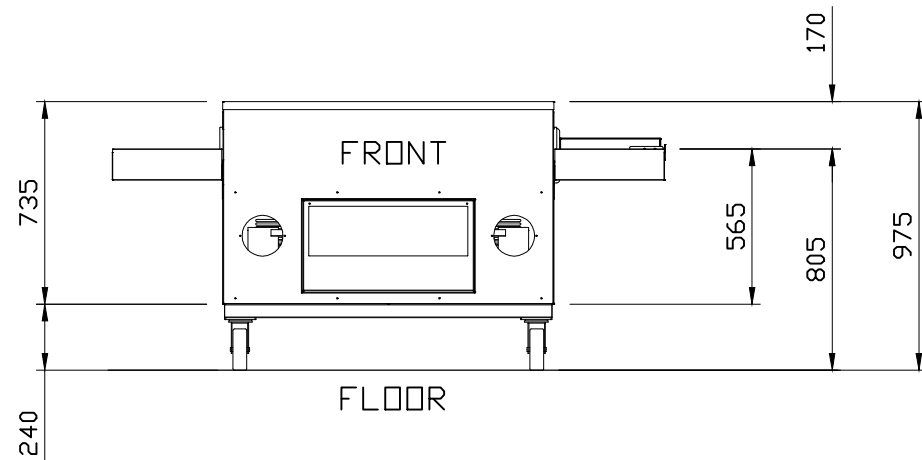
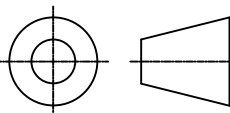


ELECTRICAL
SUPPLY CABLE
INLET AT REAR



©2016 DMP Enterprises Pty Ltd

UNLESS STATED
DIMENSIONS ARE
IN MILLIMETRES



					REF. DMP3848 Oven			DMP ENTERPRISES PTY LTD				
					MATERIAL			DESCRIPTION INSTALLATION DRAWING				
R4		Adjusted position of gas inlet & rear wall stand offs	9/5/16		FINISH			DRAWN J GANINO		CHECKED D.L.		
R3		Updated with new frame & castors	1/2/16					SCALE 1:20		APPROVED		
R2		Replaced with 100 & 200mm Castors	5/8/15					DATE	QTY	ISSUE	DRAWING NUMBER	
R1		Issued for installation information	29/4/15		TOLERANCES UNLESS STATED			0.0 ±0.4	±0.10	DWG SIZE		
ISSUE	SYM	REVISION	DATE	APP'D	ATS	ANGLE ±2'			A2	29/4/15	R4	3848-22000